

# 2MP Super Starlight Fixed Bullet Network Camera

IPC2222ER5-DUPF40(60)-C



## Key Features

### Optics

- Starlight illumination
- Day/night functionality
- Smart IR, up to 50m (164ft) IR distance
- IR anti-reflection window to increase the infrared transmittance
- 2D/3D DNR (Digital Noise Reduction)

### Compression

- Ultra 265, H.265, H.264, MJPEG
- Triple streams
- ROI (Region of Interest)
- 9:16 corridor format

### Network

- ONVIF Conformance

### Structure

- Wide temperature range: -35°C ~ 60°C (-31°F ~ 140°F)
- Wide voltage range of ±25%
- IP67

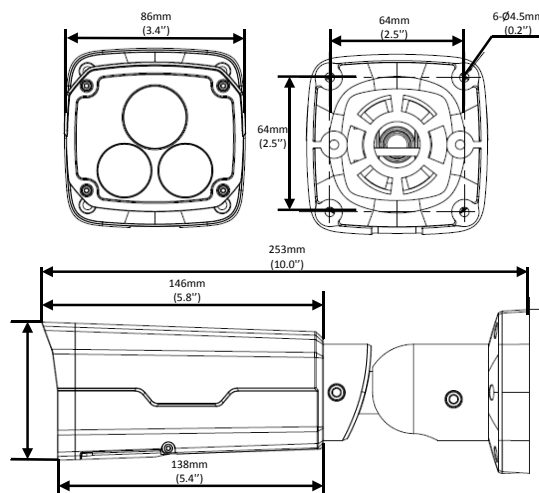
- 3-Axis

## Specifications

|                         | IPC2222ER5-DUPF40-C  | IPC2222ER5-DUPF60-C |                |               |                   |
|-------------------------|--|---------------------|----------------|---------------|-------------------|
| <b>Camera</b>           |  |                     |                |               |                   |
| Sensor                  | 1/2.8", 2.0 megapixel, progressive scan, CMOS  |                     |                |               |                   |
| Lens                    | 4.0mm@F1.2   |                     | 6.0mm@F1.2     |               |                   |
| DORI Distance           | Lens (mm)  | Detect (m)          | Observe (m)    | Recognize (m) | Identify (m)      |
|                         | 4.0  | 62.1                | 24.8           | 12.4          | 6.2               |
|                         | 6.0  | 93.1                | 37.2           | 18.6          | 9.3               |
| Angle of View (H)       | 78.7°  |                     | 53.3°          |               |                   |
| Angle of View (V)       | 42.8°  |                     | 29.3°          |               |                   |
| Angle of View (O)       | 96.8°  |                     | 65.5°          |               |                   |
| Adjustment angle        | Pan: 0° ~ 360°   |                     | Tilt: 0° ~ 90° |               | Rotate: 0° ~ 360° |
| Shutter                 | Auto/Manual, 1 ~ 1/100000s   |                     |                |               |                   |
| Minimum Illumination    | Colour: 0.0005Lux (F1.2, AGC ON)<br>0Lux with IR on  |                     |                |               |                   |
| Day/Night               | IR-cut filter with auto switch (ICR)   |                     |                |               |                   |
| Digital noise reduction | 2D/3D DNR  |                     |                |               |                   |
| S/N                     | >52dB  |                     |                |               |                   |
| IR Range                | Up to 50m (164ft) IR range   |                     |                |               |                   |
| Defog                   | Digital Defog  |                     |                |               |                   |
| WDR                     | 120dB  |                     |                |               |                   |
| <b>Video</b>            |  |                     |                |               |                   |
| Video Compression       | Ultra265, H.265, H.264, MJPEG  |                     |                |               |                   |
| H.264 code profile      | Baseline profile, Main Profile, High Profile   |                     |                |               |                   |
| Frame Rate              | Main Stream: 2MP (1920*1080), Max 30fps;<br>Sub Stream: 2MP (1920*1080), Max 30fps;<br>Third Stream: D1 (720*576), Max 30fps   |                     |                |               |                   |
| 9:16 Corridor Mode      | Supported  |                     |                |               |                   |
| HLC                     | Supported  |                     |                |               |                   |
| BLC                     | Supported  |                     |                |               |                   |
| OSD                     | Up to 8 OSDs   |                     |                |               |                   |
| Privacy Mask            | Up to 8 areas  |                     |                |               |                   |
| ROI                     | Up to 8 areas  |                     |                |               |                   |
| Motion Detection        | Up to 4 areas  |                     |                |               |                   |
| <b>Storage</b>          |  |                     |                |               |                   |
| Edge Storage            | Micro SD, up to 256GB  |                     |                |               |                   |
| Network Storage         | ANR  |                     |                |               |                   |
| <b>Network</b>          |  |                     |                |               |                   |
| Protocols               | IPv4, IGMP, ICMP, ARP, TCP, UDP, DHCP, PPPoE, RTP, RTSP, RTCP, DNS, DDNS, NTP, FTP, UPnP, HTTP, HTTPS, SMTP, 802.1x, SNMP, QoS |                     |                |               |                   |
| Compatible Integration  | ONVIF (Profile S, Profile G, Profile T), API   |                     |                |               |                   |

|                        |  |
|------------------------|--|
| <b>Interface</b>       |  |
| Network                | 1 RJ45 10M/100M Base-TX Ethernet                                 |
| <b>General</b>         |  |
| Power                  | DC 12V±25%, PoE (IEEE 802.3af)                                   |
|                        | Power consumption: Max 9W  |
| Dimensions (L × W × H) | 253.4 × 86 × 71.7mm (9.98" × 3.4" × 2.8")                        |
| Weight                 | 1.0kg (2.2lb)  |
| Working Environment    | -35°C ~ 60°C (-31°F ~ 140°F), Humidity: ≤95% RH (non-condensing) |
| Ingress Protection     | IP67   |

## Dimensions



### Zhejiang Uniview Technologies Co., Ltd.

Building No.10, Wanlun Science Park, Jiangling Road 88, Binjiang District, Hangzhou, Zhejiang, China (310051)

Email: [overseasbusiness@uniview.com](mailto:overseasbusiness@uniview.com); [globalsupport@uniview.com](mailto:globalsupport@uniview.com)

<http://www.uniview.com>

©2019 Zhejiang Uniview Technologies Co., Ltd. All rights reserved.

\*Product specifications and availability are subject to change without notice.